

## BUNGALOW

### Standard Features:

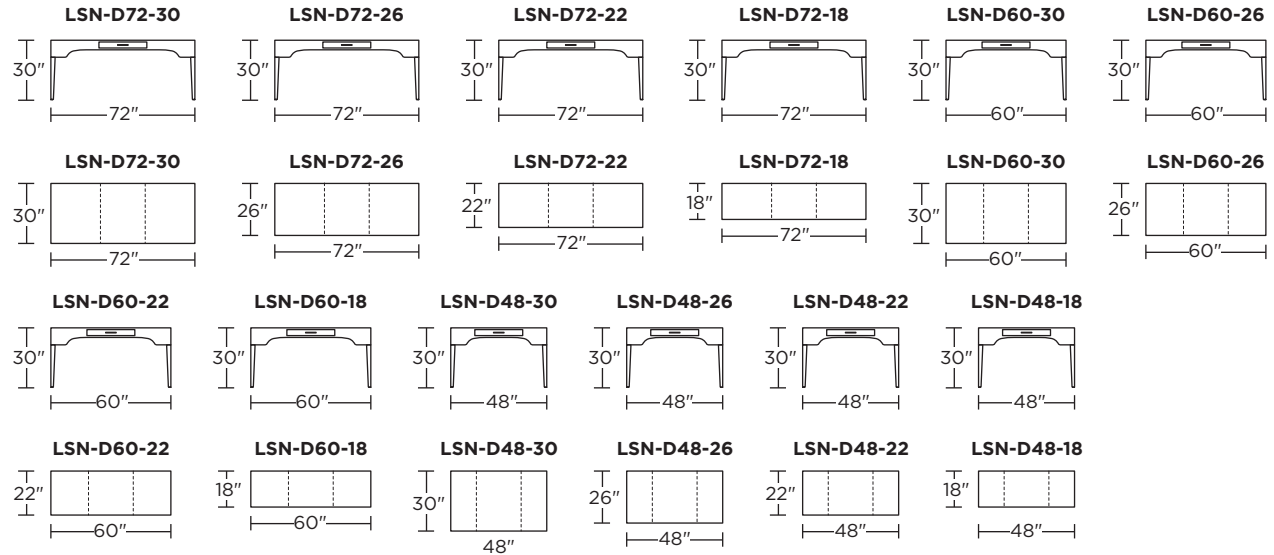
- Leveling feet
- Drawer
- Glass blotter (26" by 18", 1/4" thick)
- Lifetime warranty on frame
- Quick-ship delivery

### Options:

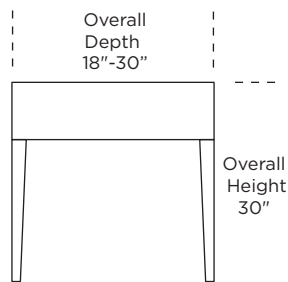
- Wood leg available in Light Brown or Dark Brown finish
- Metal leg available in Blue, Orange, Pink or White
- Full glass top
- Contrasting stitch detail available in Black, Brown, Charcoal, Cream, Espresso, Grey, Lemon, Pink, Royal, Scarlet, Tangerine, or Teal thread color

Please use actual leather, fabric, Crypton®, Sunbrella® and Ultrasuede® swatches when specifying furniture as the colors shown may vary due to the printing process.

**Note:** Dotted line indicates seam on leather, Ultrasuede® and up the roll fabrics. Seams are eliminated with railroaded fabrics.



### Side View:



**Standard Features:**

- Leveling feet
- Glass blotter (26" by 18", 1/4" thick)
- Lifetime warranty on frame
- Quick-ship delivery

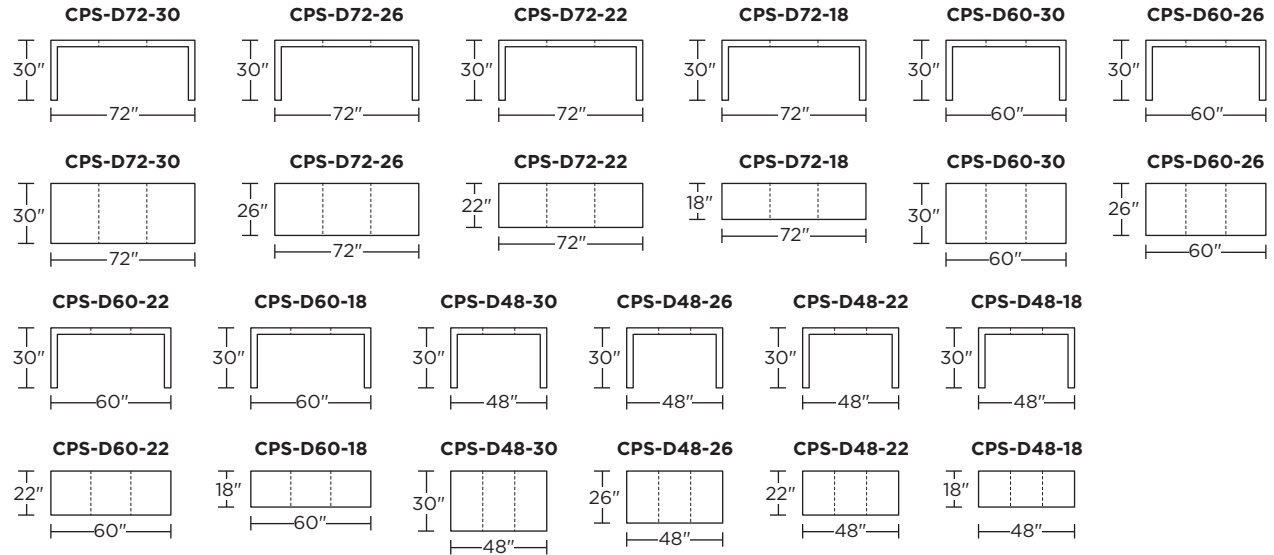
**Options:**

- Available with drawer
- Full glass top
- Contrasting stitch detail available in Black, Brown, Charcoal, Cream, Espresso, Grey, Lemon, Pink, Royal, Scarlet, Tangerine, or Teal thread color

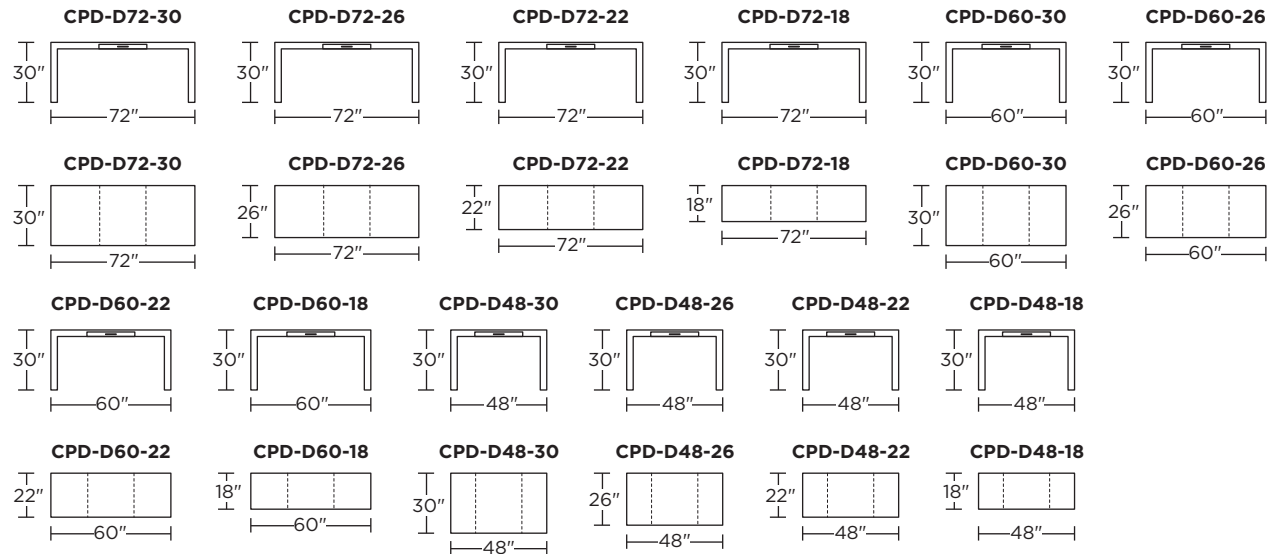
Please use actual leather, fabric, Crypton®, Sunbrella® and Ultrasuede® swatches when specifying furniture as the colors shown may vary due to the printing process.

**Note:** Dotted line indicates seam on leather, Ultrasuede® and up the roll fabrics. Seams are eliminated with railroaded fabrics.

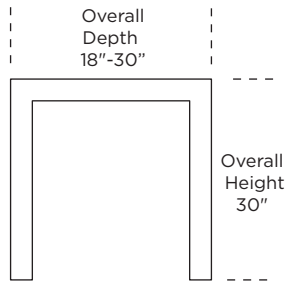
**Without Drawer:**



**With Drawer:**



**Side View:**



**Standard Features:**

- Leveling feet
- Glass blotter (26" by 18", 1/4" thick)
- Lifetime warranty on frame
- Quick-ship delivery

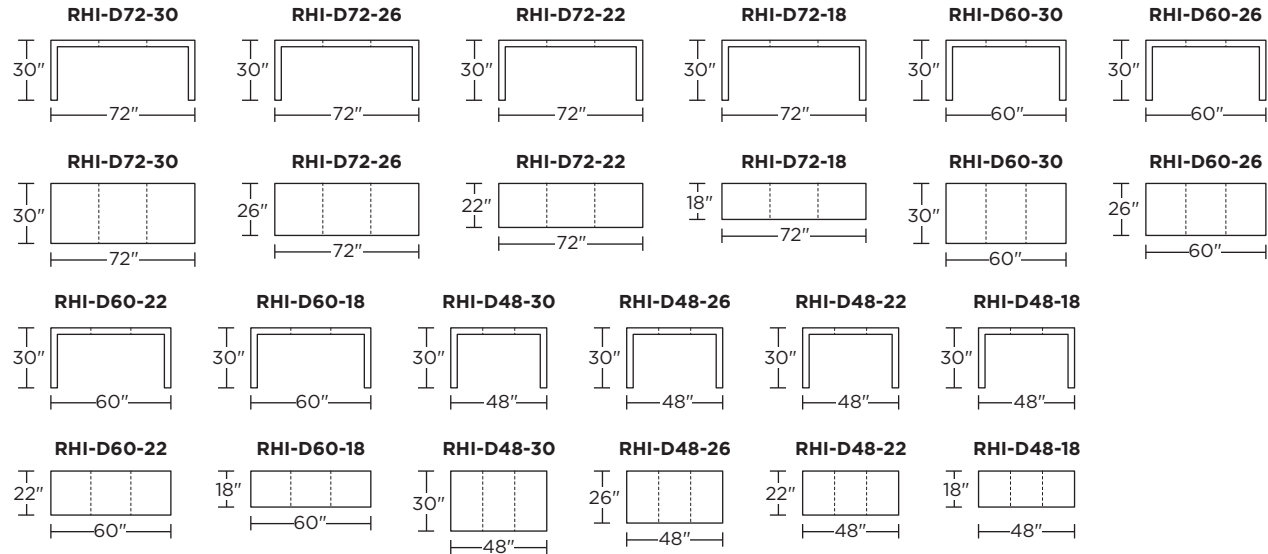
**Options:**

- Available with drawer
- Full glass top
- Contrasting stitch detail available in Black, Brown, Charcoal, Cream, Espresso, Grey, Lemon, Pink, Royal, Scarlet, Tangerine, or Teal thread color

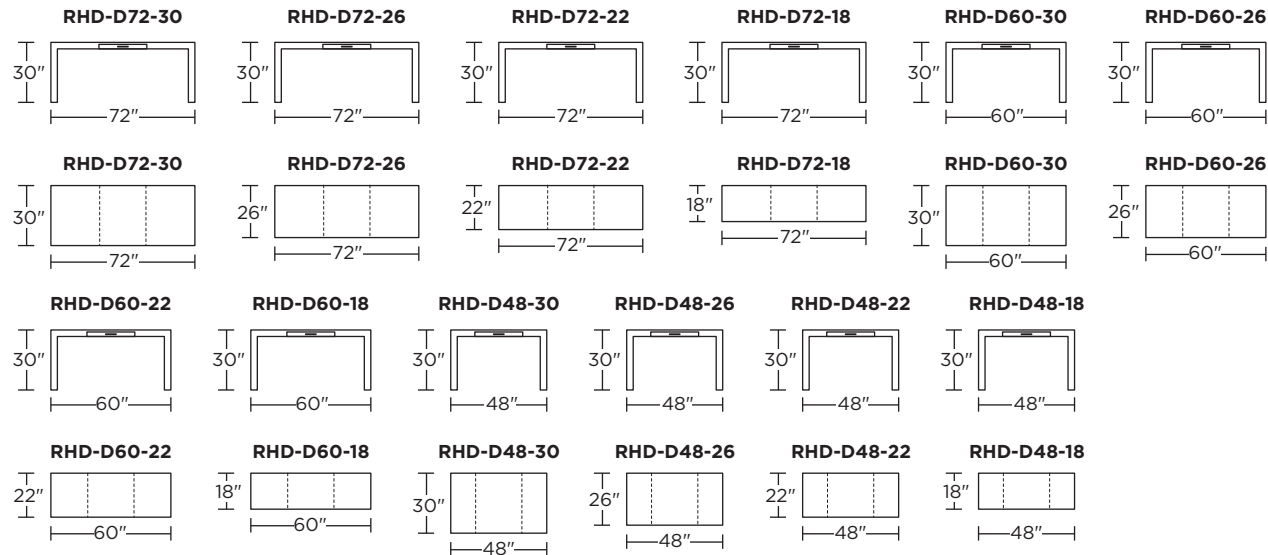
Please use actual leather, fabric, Crypton®, Sunbrella® and Ultrasuede® swatches when specifying furniture as the colors shown may vary due to the printing process.

**Note:** Dotted line indicates seam on leather, Ultrasuede® and up the roll fabrics. Seams are eliminated with railroaded fabrics.

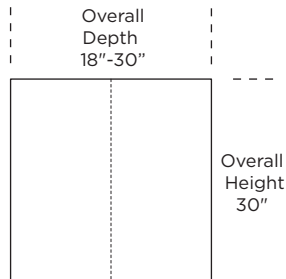
**Without Drawer:**



**With Drawer:**



**Side View:**



**Standard Features:**

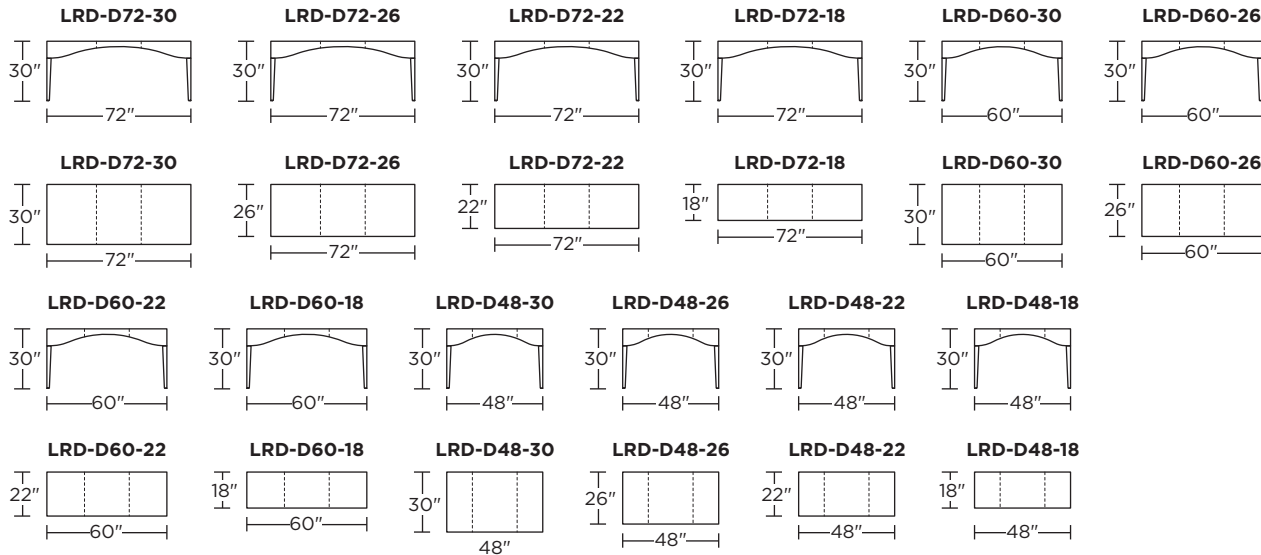
- Leveling feet
- Glass blotter (26" by 18", 1/4" thick)
- Lifetime warranty on frame
- Quick-ship delivery

**Options:**

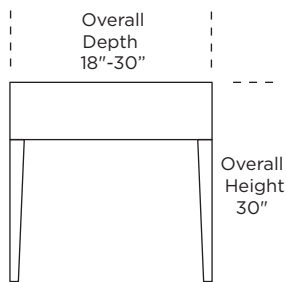
- Wood leg available in Light Brown or Dark Brown finish
- Metal leg available in Blue, Orange, Pink or White
- Full glass top
- Contrasting stitch detail available in Black, Brown, Charcoal, Cream, Espresso, Grey, Lemon, Pink, Royal, Scarlet, Tangerine, or Teal thread color

*Please use actual leather, fabric, Crypton®, Sunbrella® and Ultrasuede® swatches when specifying furniture as the colors shown may vary due to the printing process.*

**Note:** Dotted line indicates seam on leather, Ultrasuede® and up the roll fabrics. Seams are eliminated with railroaded fabrics.



**Side View:**



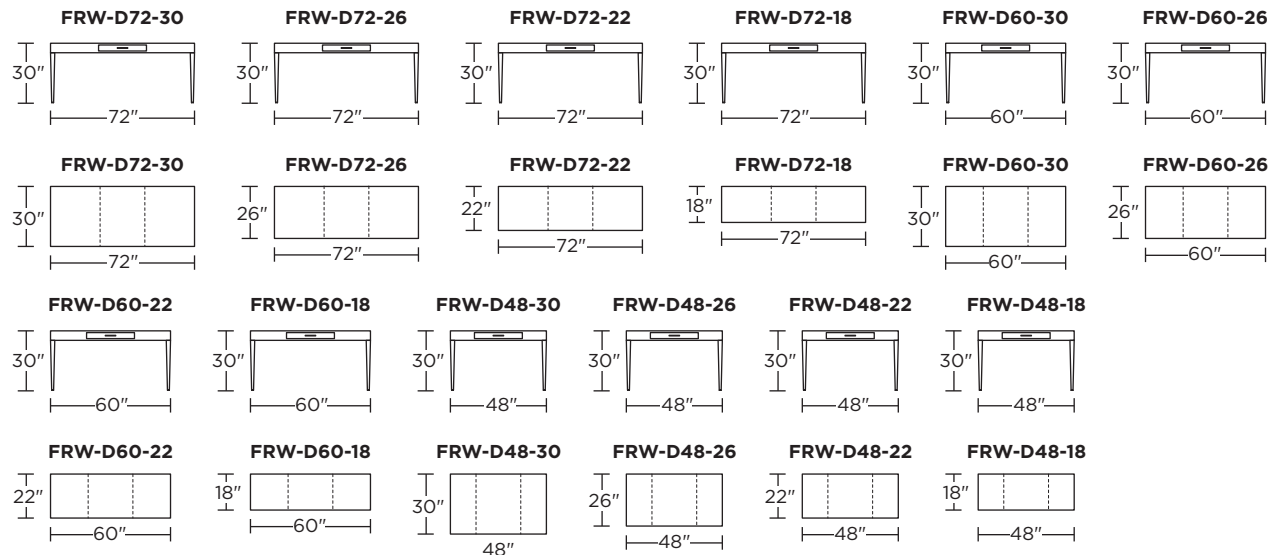
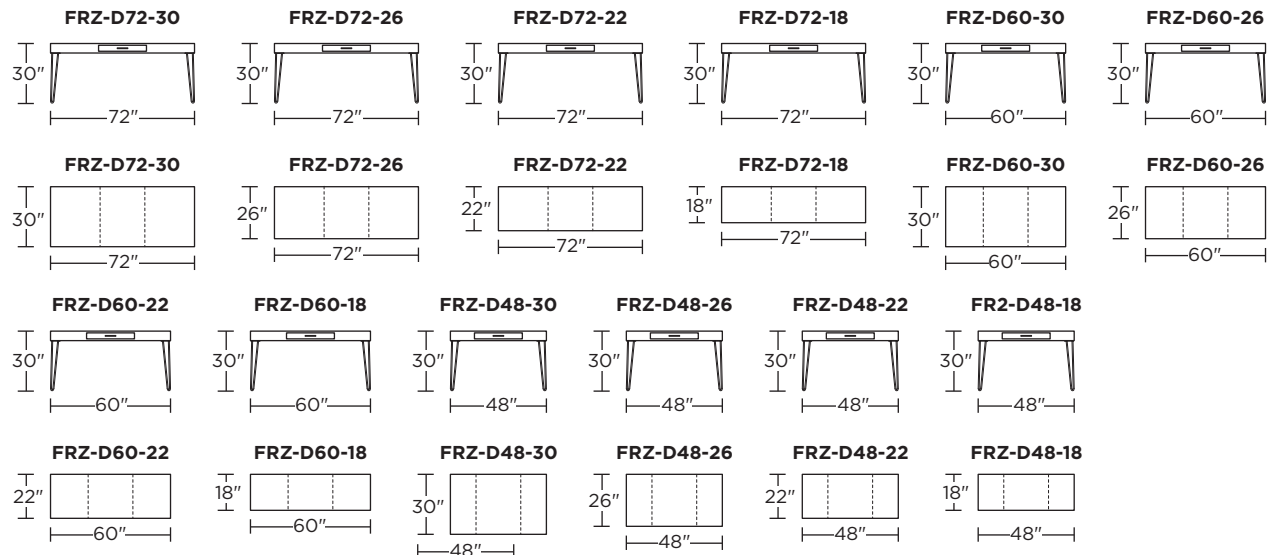
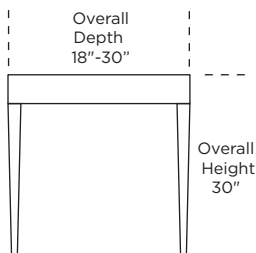
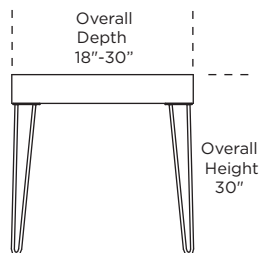
**Standard Features:**

- Leveling feet (Wood leg only)
- Drawer
- Glass blotter (26" by 18", 1/4" thick)
- Lifetime warranty on frame
- Quick-ship delivery

**Options:**

- Wood tapered leg available in Light Brown or Dark Brown finish
- Metal tapered leg available in Blue, Orange, Pink or White finish
- Metal Hairpin leg available in Blue, Brushed Stainless Steel, Gunmetal Black, Orange, Pink or White finish
- Full glass top
- Contrasting stitch detail available in Black, Brown, Charcoal, Cream, Espresso, Grey, Lemon, Pink, Royal, Scarlet, Tangerine, or Teal thread color

Please use actual leather, fabric, Crypton®, Sunbrella® and Ultrasuede® swatches when specifying furniture as the colors shown may vary due to the printing process.

**Wood Leg:**

**Metal Hairpin Leg:**

**Tapered Leg (FRW)**
**Side View:**

**Hairpin Leg (FRZ)**
**Side View:**


**Note:** Dotted line indicates seam on leather, Ultrasuede® and up the roll fabrics. Seams are eliminated with railroaded fabrics.